


DIN Bushings

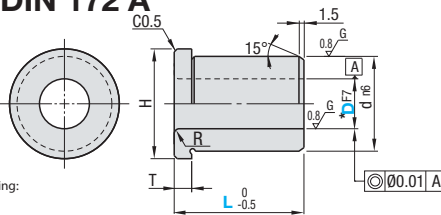
-DIN172A DIN179A-

RoHS10


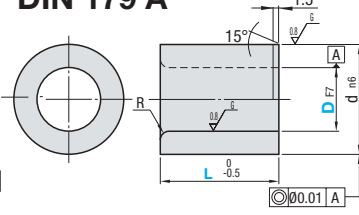
Type		Material	D	Hardness
Shouldered	Straight			
DIN172A	DIN179A	1.0718/ 11SMnPb30	2.5-26	62 +/-2 HRC
		1.7131/ 16MnCr 5	28-35	

$6.3 \sqrt[0.8]{G}$

DIN 172 A



DIN 179 A



All specifications without any tolerance according:
JIS B 0405-1991-m (DIN ISO 2768-m)

Part Number	D	D Tolerance	L			d n6	H	R	T
			Short	Medium	Long				
DIN172A DIN179A	2.5	+0.016	6	9		5	8	1	2
	3	+0.006				6	9		
	3.3	+0.022 +0.010				7	10		2.5
	3.5					8	11		
	4		8	12	16				
	4.2								
	4.5								
	5								
	5.5								
	6					10	13	1.5	3
	6.5	+0.028 +0.013				12	15		
	6.8		10	16	20				
	7								
	7.5								
	8								
	8.5								
	9								
	9.5					15	18	2	4
	10	+0.034 +0.016				18	22		
	10.2		12	20	25				
	10.5								
	11								
	12								
	13					22	26		
	14					26	30		
	15			16	28	36			
	16								
	17								
	18								
	19								
	20					30	34	3	5
	22	+0.041 +0.020				35	39		
	24		20	36	45				
	25								
	26								
28									
30			25	45	56				
35		+0.050 +0.025				42	46		
						48	52		